

# GMT-X4

## DIN Rail Mount Four-Channel Weighing Transmitter



GMT-X4 is a DIN rail mounted weighing transmitter with four-channel. It has the characteristics of compact design, stable performance, and easy operation, which can be used for various weighing applications, such as weight checking, loss-in-weight, liquid filling, batching, vessel and silo weighing, etc.



### Hardware Highlight

- Stainless steel housing with compact design(62X134X128mm);
- Different configuration choices, a variety of combination;

#### Standard

- ① 4-channel of 6-wire load cell interfaces;
- ② RS485 & RS232;

**Option1** 4 Input 8 Output I/O;

**Option2** Modbus TCP /IP or EtherNet/IP or ProfiNet or EtherCat;

**Option3** 4-channel analog output;

**Option4** CANopen;

(Option1, 2, 3,4can be selected at the same time.)







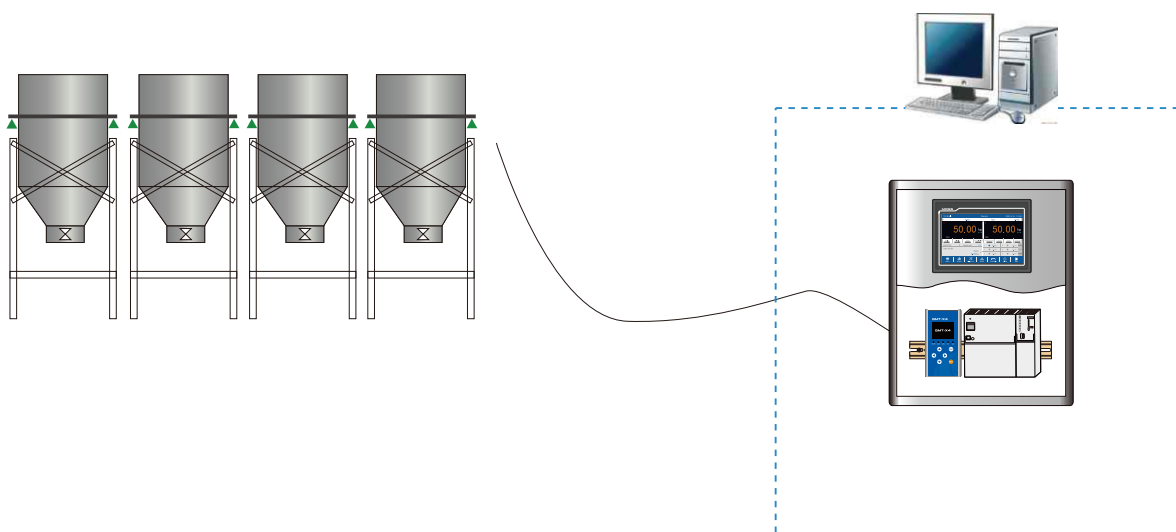

### Software Highlight

- Zero point reset function: support resetting the zero point as before power failure when re-powering;
- Theoretical value calibration, stable within 3s of the calibration process automatically;
- Remote monitoring and configuration by PC with Modbus TCP connecting up to 6 devices at once;
- Input anti-vibration function, which time can be set.

## Specification

Power	DC 24V $\pm$ 5%
Size	62mm $\times$ 134mm $\times$ 128mm
Weight	Approx. 880g
Operating Environment	-10 ~ 40°C; 90%R.H, No Condensation
Storing Environment	-40 ~ 60°C; 90%R.H, No Condensation
Power Dissipation	20W
Weighing Platform	5V, 200mA(MAX)/channel
Excitation Voltage	
Weighing Platform Requirement	4 simulation scale interface, can connect up to 40 load cell with 350 $\Omega$ , support sensitivity 1mV/V, 2mV/V, 3mV/V
Sensitivity	0.1 $\mu$ V/d
Non-Linearity	0.01% F.S
A/D Conversion Speed	50; 60; 100; 120; 200; 240; 400; 480; 800; 960 (SPS)
Maximum Display Accuracy	1/1,000,000

## Application Diagram



Multi-material batching application

## Dimension

