

JUMBO BAG CHECKWEIGHER CW-2.5T

CW-2.5T is a checkweigher for jumbo bag dynamic transporting and static weight checking. The weighing range is from 100kg to 2500kg. Separate control cabinet is convenient for application. It is suitable for harsh environment, such as chemical, feeds, logistic industries.

Feature Highlights:

- For jumbo bag weight checking up to 2.5 tons.
- Module design, separate control box, easy to integrate into production lines.
- Support RS485 and Modbus TCP/IP



Feeds



Logistics

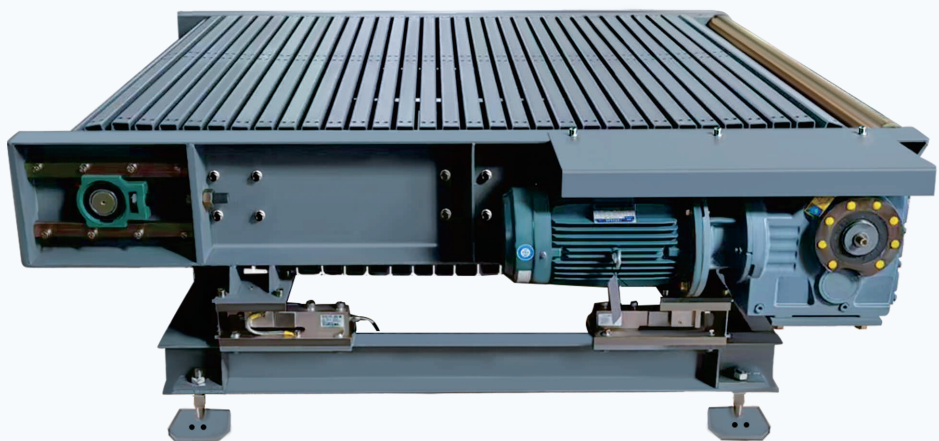


Chemical industry

2500 kg
Maximum capacity

± 1 kg
Best accuracy

4 Pcs/min
Highest speed



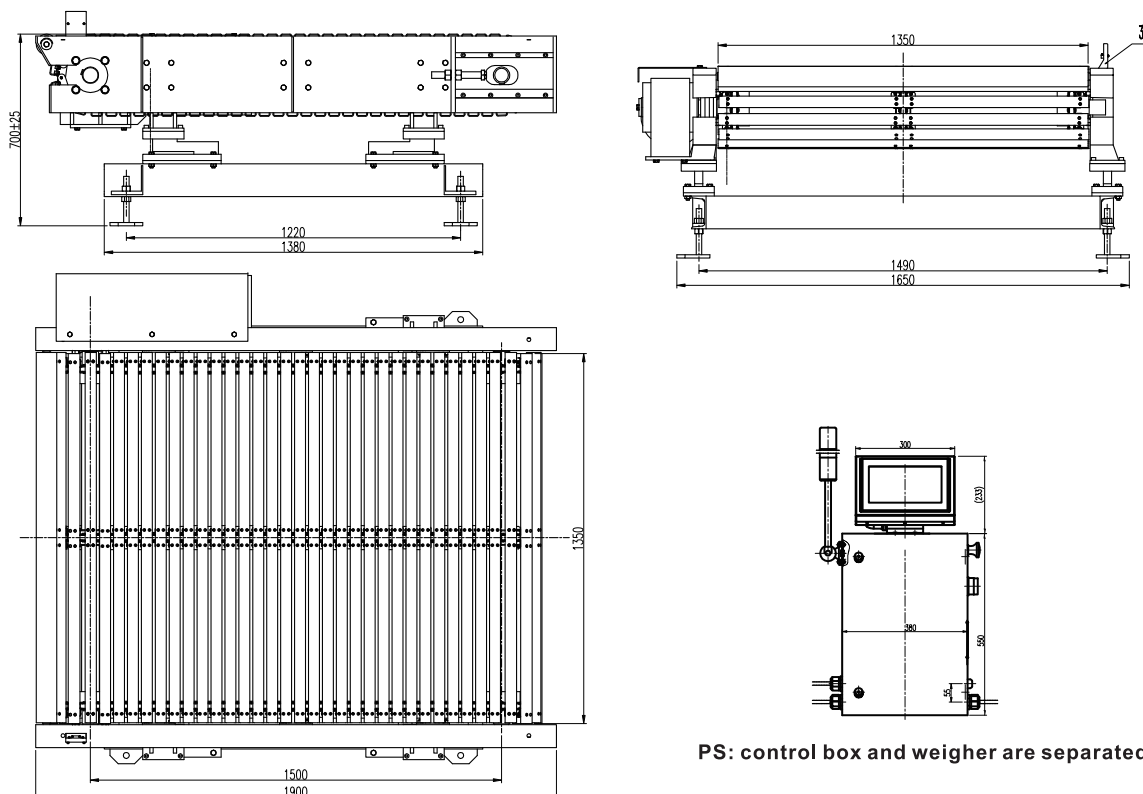
Standard Specification

Model	CW-2.5T
Maximum capacity	2500kg
Scale division	100g
Best accuracy	±1kg
Highest speed	4 pcs/min
Belt speed	8m/min
Weighing platform size	1500mm x 1350mm
Weighing platform height	700±25mm
Structure material	Carbon steel
Alarm light	3-color signal light (red, yellow, green)
Display size	10-inch color touch screen
Power	AC 380, 50Hz, 3KW
Operating temperature	0~40°C
IP grade	IP54

*Depend on the weight, size and material of test object.

Structure & Dimension

Unit: mm



PS: control box and weigher are separated