

# B6E/H6E

- Stainless/ alloy steel IP67 single point load cell
- Suitable for the pricing scales, bench scales, belt scales etc
- Maximum platform size: 400\*400mm

## Available models

Capacity	Accuracy	Full article description
xxkg	C3	B6E/H6E-C3-xxkg-2B
xxkg	C3	B6E/H6E-C3-xxkg-2B-S1
xxkg	C3	B6E/H6E-C3-xxkg-2G
xxkg	C3	B6E/H6E-C3-xxkg-2G-S1

G:The Insulation resistance between bridge circuit and shielded wire is zero

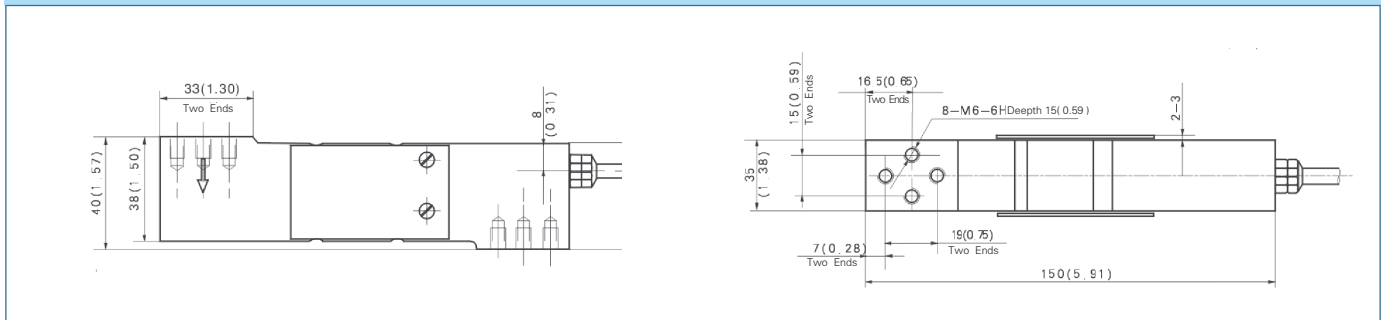


## Specification

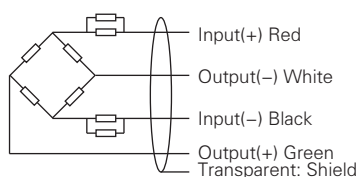
Maximum capacity ( E <sub>max</sub> )	kg	20/30/50/75/100/150/200/250/300
Accuracy class		C3
Maximum number of load cell intervals ( nLC )		3000
Ratio of minimum LC verification interval Y = E <sub>max</sub> / v <sub>min</sub>		10000
Combined error	%FS	± 0.020
Creep	%FS/30min	± 0.016
Temperature effect on sensitivity	%FS/10°C	± 0.011
Temperature effect on zero	%FS/10°C	± 0.015
Output sensitivity ( = FS )	mV/V	2.0 ± 0.2
Input resistance	Ω	400 ± 20
Output resistance	Ω	351 ± 2.0
Insulation resistance	MΩ	≥ 5000(50VDC)
Zero balance	%FS	≤ ± 1.5
Compensated temperature	°C	-10~+40
Operating temperature	°C	-35~+65
Excitation, recommended voltage	V	5~12 (DC)
Excitation maximum	V	18 (DC)
Safe overload	%FS	150
Ultimate overload	%FS	300
Corner correction		0.02% load value/100mm
ATEX class( optional )		II1G Ex ia IIC T4   II1D Ex iaD20 T73°C   II3G Ex nL II C T4

Note: "S1" output sensitivity is 2.0 ± 0.002mV/V, input resistance is 384 ± 4

## Dimensions in mm



## Wiring



- Adopt shielded, 4 conductor cable: Φ5mm
- Standard cable length: 2m