



## Short Description



- Stainless steel IP67 single point load cell
- Suitable for single or double load cell structured platform scales
- Maximum platform size: 600 x 600 mm

Non OIML approved

## Available Models

Capacity	Accuracy	Full Article Description
100kg	C3	B6G-C3-100kg-3G6
150kg	C3	B6G-C3-150kg-3G6
200kg	C3	B6G-C3-200kg-3G6
250kg	C3	B6G-C3-250kg-3G6
300kg	C3	B6G-C3-300kg-3G6
500kg	C3	B6G-C3-500kg-3G6
600kg	C3	B6G-C3-600kg-3G6

Specifications and dimensions are subject to change without notice and do not constitute any liability whatsoever.

## Technical Specifications B6G

Accuracy Class		C3		
Output Sensitivity ( = FS )	mV/V	2.0 ± 0.2		
Maximum Capacity ( E <sub>max</sub> )	kg	100, 150, 200, 250, 300, 500, 600		
Max. Number of Load Cell Intervals	n <sub>LC</sub>	3000		
Ratio of min. LC Verification Interval	$Y = E_{max} / V_{min}$	10000		
Combined Error	%FS	≤± 0.020		
Creep Error (30 minutes)	%FS	≤± 0.016		
Temperature Effect on Zero (ZTC)	%FS/10°C	≤± 0.015		
Temperature Effect on Sensitivity (STC)	%FS/10°C	≤± 0.011		
Zero Balance	%FS	≤± 1.0		
Safe Overload	%FS	150		
Ultimate Overload	%FS	300		
Maximum Deflection	mm	100kg: 0.15	150 – 300kg: 0.14	400 – 600kg: 0.15
Eccentric Loading Error	%Ld/cm	± 0.002		
Excitation, Recommended Voltage	V	5 ~ 12		
Excitation, Maximum Voltage	V	18		
Input Resistance	Ω	385 ± 5		
Output Resistance	Ω	350 ± 3		
Insulation Resistance (50V)	MΩ	≥5000		
Compensated Temperature	°C	-10 ~ +40		
Operating Temperature	°C	-35 ~ +65		
Storage Temperature	°C	-40 ~ +70		
Load Cell Weight	kg	~ 4.6		
Element Material		Stainless Steel		
Ingress Protection (acc. to EN 60529)		IP67		
Recommended Torque on Fixation Bolts	Nm	M8: 20		
ATEX Classification (optional)		II 1G Ex ia IIC T4 Ga	II 1D Ex ia IIIC T <sub>200</sub> 135°C Da	II 3G Ex ic IIC T4 Gc

## Wiring

### Features:

Cable type: Shielded, 6 conductor cable , conductor AWG 24

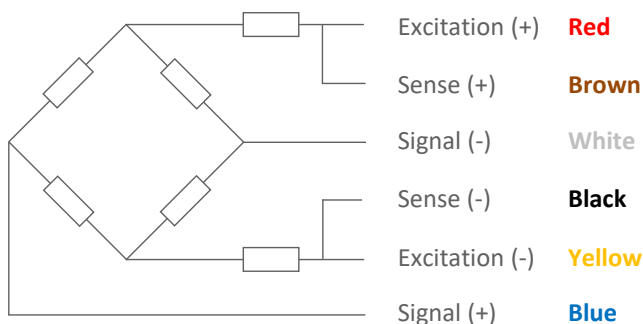
Cable diameter: Ø 6.2mm

Cable length: 3.0m

Cable jacket: PVC

Shield not connected to element

### 6-Wire Connection Diagram

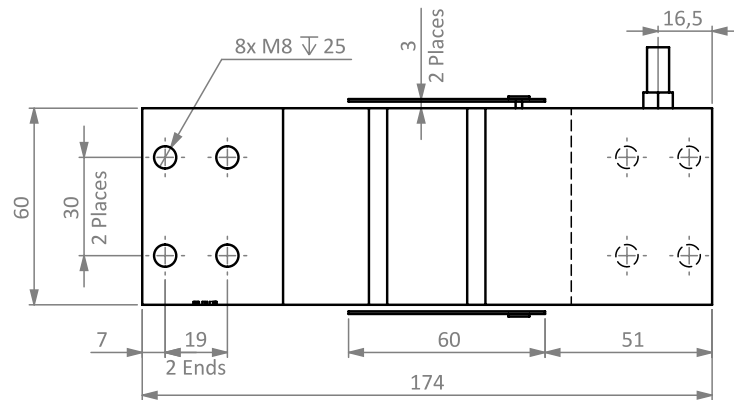


Specifications and dimensions are subject to change without notice and do not constitute any liability whatsoever.

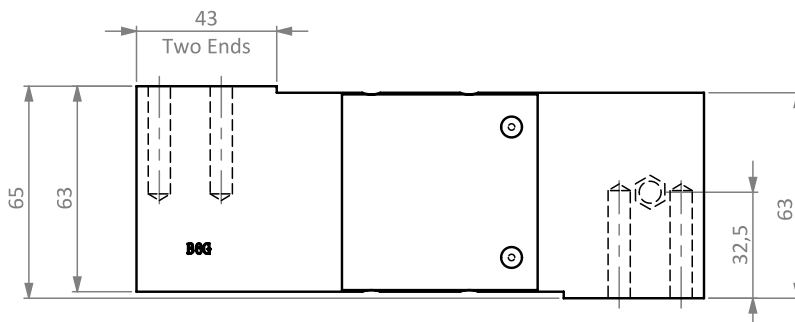
# Type B6G Load Cell

## Dimensions in mm

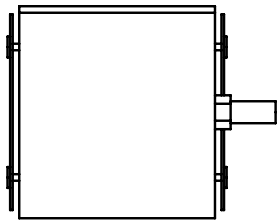
### Top View



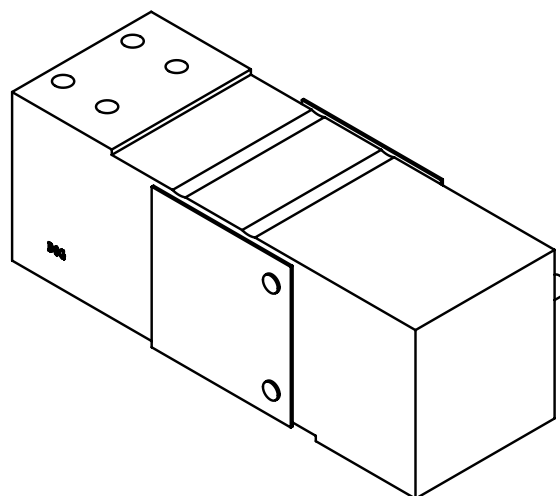
### Front View



### Side View



### Isometric View



Specifications and dimensions are subject to change without notice and do not constitute any liability whatsoever.